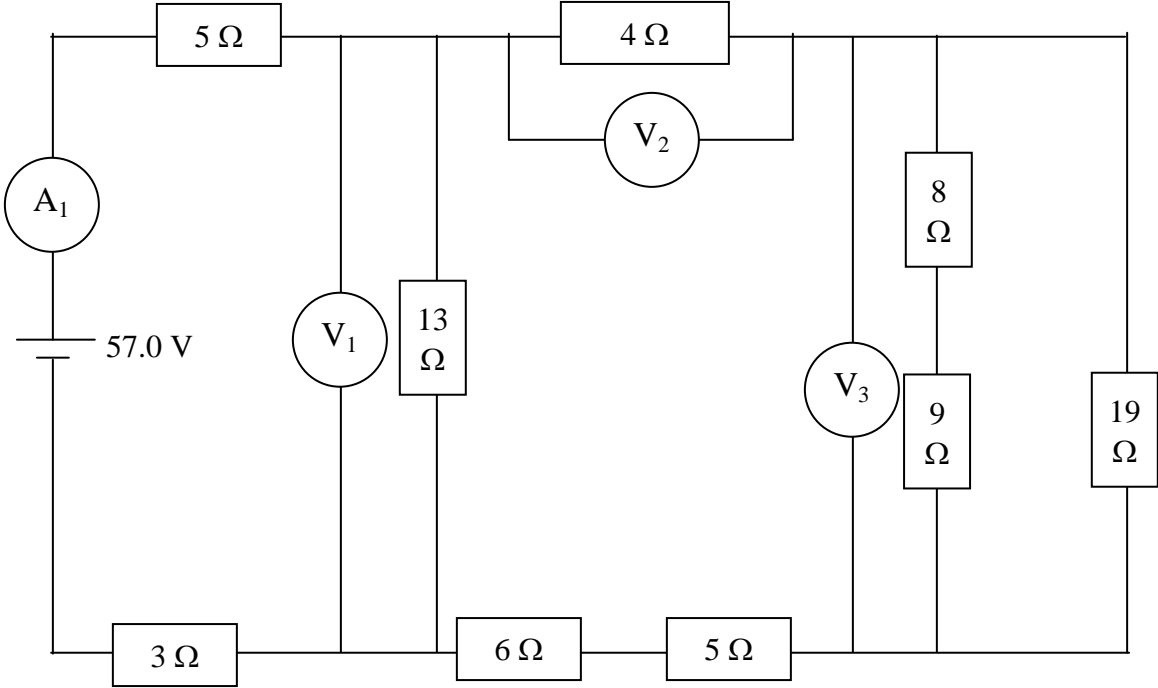


Name _____

Favorite Snotty Retort to Parents _____

Round your answers to three sig figs (retain five), and show your work.



Find:

$A_1 =$ _____

$V_1 =$ _____

$V_2 =$ _____

$V_3 =$ _____

Find the current through:

13Ω _____

4Ω _____

9Ω _____

19Ω _____