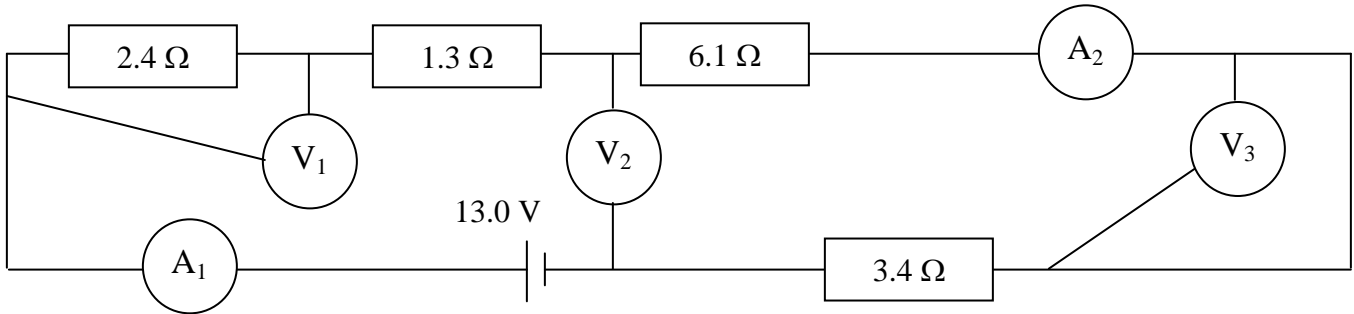


**IB Physics**  
**FA 19.1 - Series and Parallel**

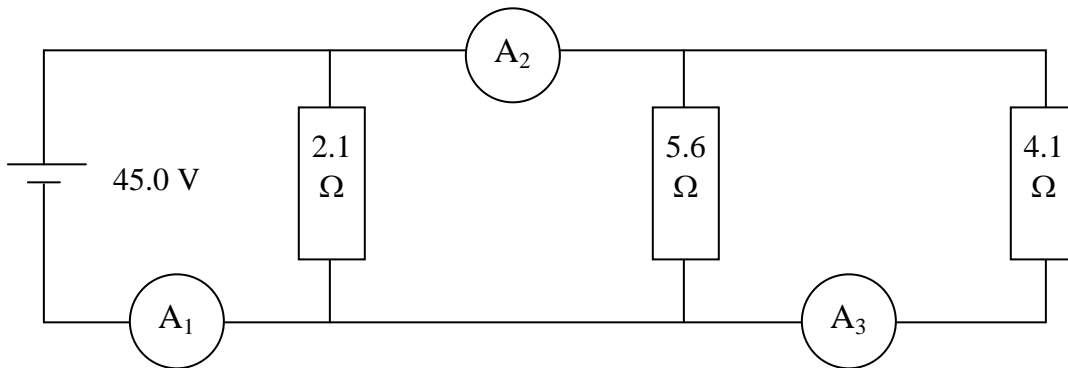
Name \_\_\_\_\_

Favorite TikTok \_\_\_\_\_ Favorite TikTok Fail \_\_\_\_\_

**Find the meter readings. Round your answers to three sig figs, and show your work.**



$A_1$	$A_2$	$V_1$
$V_2$	$V_3$	Greatest power dissipated by a resistor:



$A_1$	$A_2$	$A_3$	Least power dissipated by a resistor
-------	-------	-------	--------------------------------------