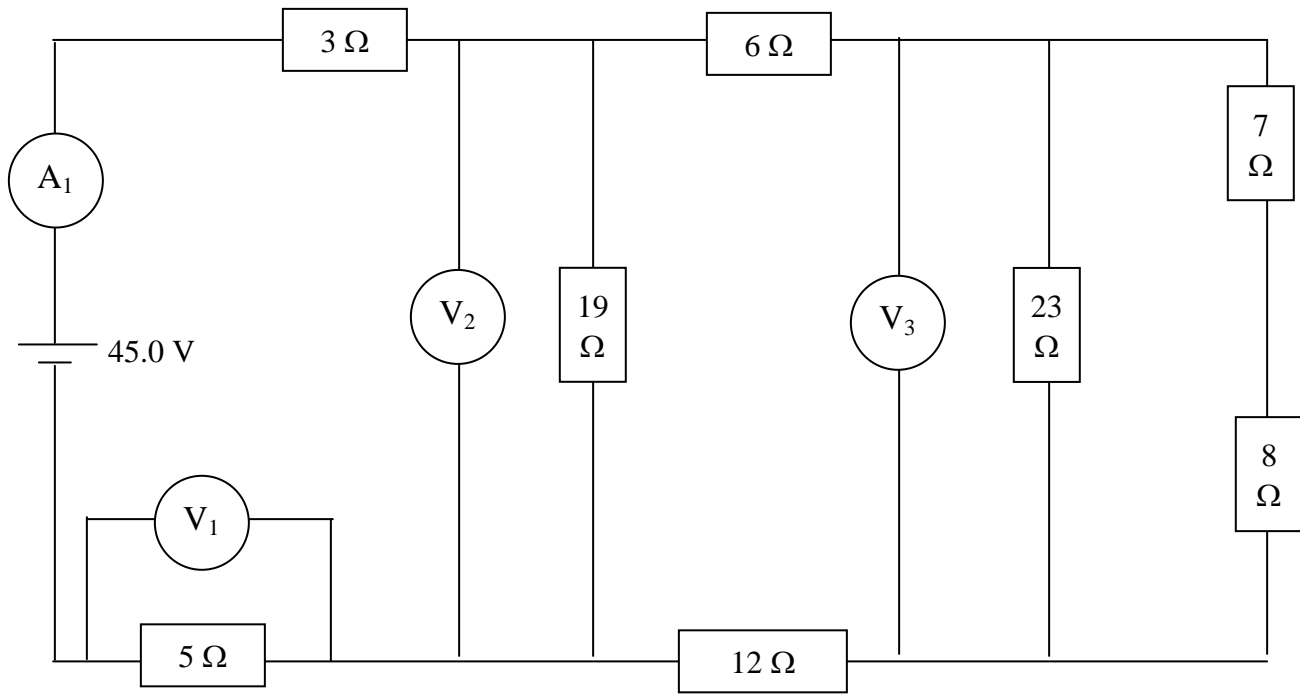


Practice for 19.2:

Round your answers to three sig figs (retain five), and show your work.

1



Find:

$A_1 =$ _____

$V_1 =$ _____

$V_2 =$ _____

$V_3 =$ _____

Find the current through:

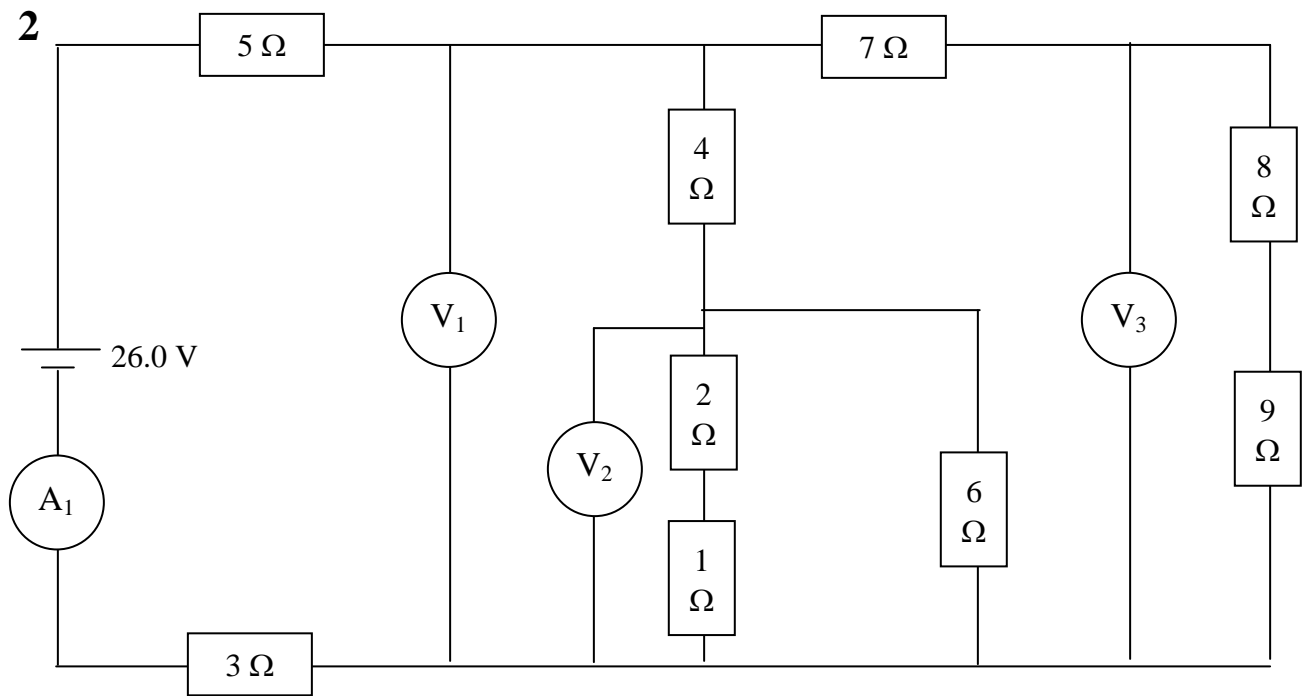
19Ω _____

6Ω _____

23Ω _____

7Ω _____

	9.078947 ohms
	27.07895 ohms
	11.16562 ohms
Net R	19.16562 ohms
A1	2.347954 A
V1	11.73977 V
V2	26.21637 V
I19	1.379809 A
I6	0.968146 A
V3	8.789743 V
I23	0.382163 A
I7	0.585983 A



Find:

$A_1 =$ _____

$V_1 =$ _____

$V_2 =$ _____

$V_3 =$ _____

Find the current through:

4Ω _____

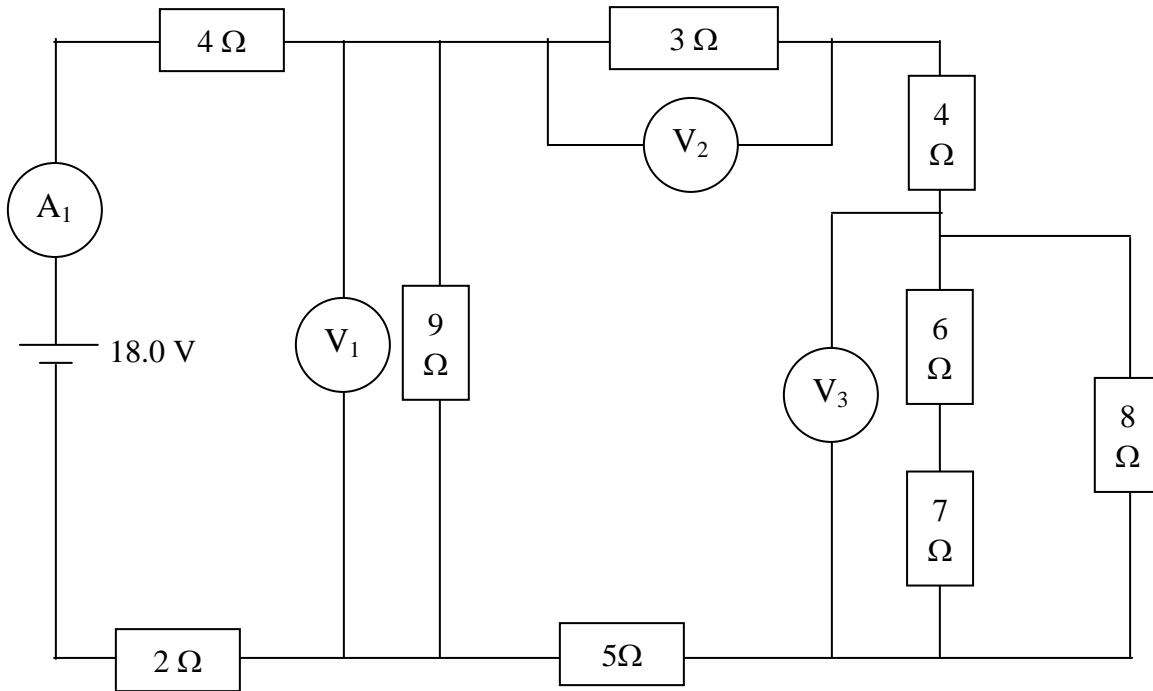
2Ω _____

6Ω _____

7Ω _____

	24	ohms
	2	ohms
	6	ohms
	4.8	ohms
Net R	12.8	ohms
A1	2.03125	
V1	9.75	
I7	0.40625	
V3	6.90625	
I4	1.625	
V2	3.25	
I2	1.083333	
I6	0.541667	

3



Find:

$A_1 =$ _____

$V_1 =$ _____

$V_2 =$ _____

$V_3 =$ _____

Find the current through:

9Ω _____

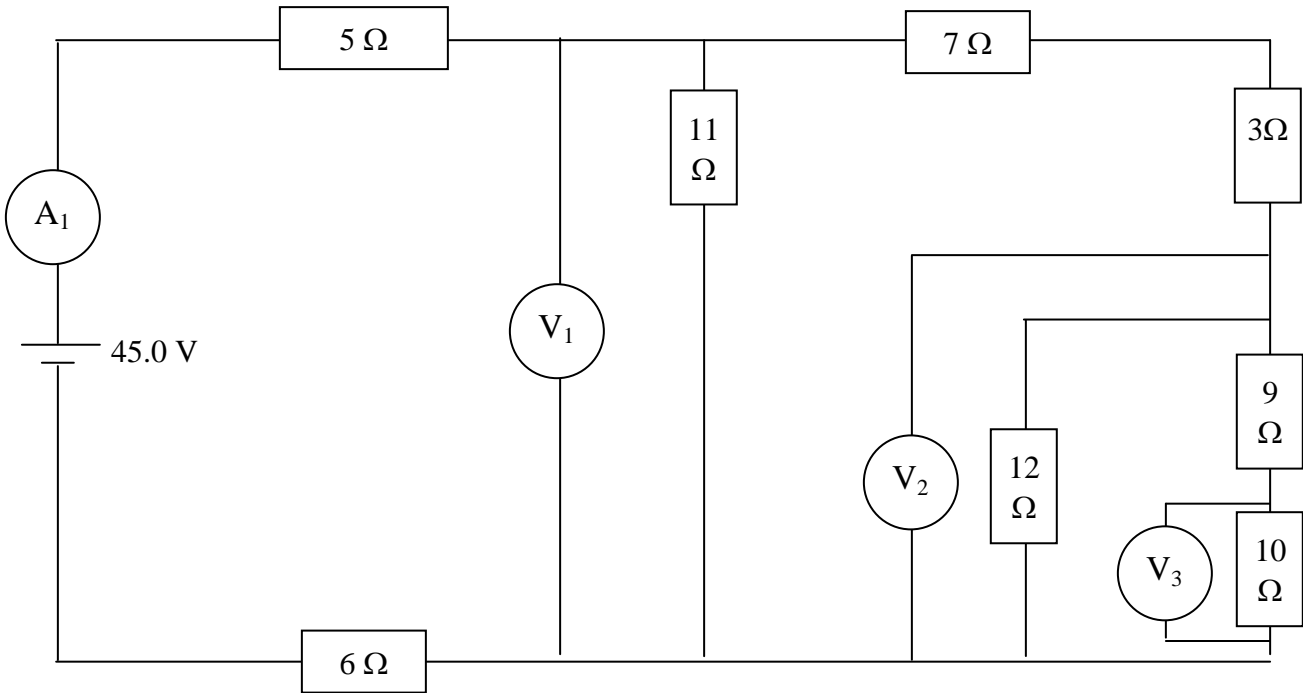
3Ω _____

6Ω _____

8Ω _____

	4.952381	ohms
	16.95238	ohms
	5.878899	ohms
Net R	11.8789	ohms
A1	1.515292	A
V1	8.908248	V
I9	0.989805	A
I3	0.525487	A
V2	1.57646	V
V3	2.60241	V
I6	0.200185	A
I8	0.325301	A

4



Find:

$A_1 =$ _____

$V_1 =$ _____

$V_2 =$ _____

$V_3 =$ _____

Find the current through:

11Ω _____

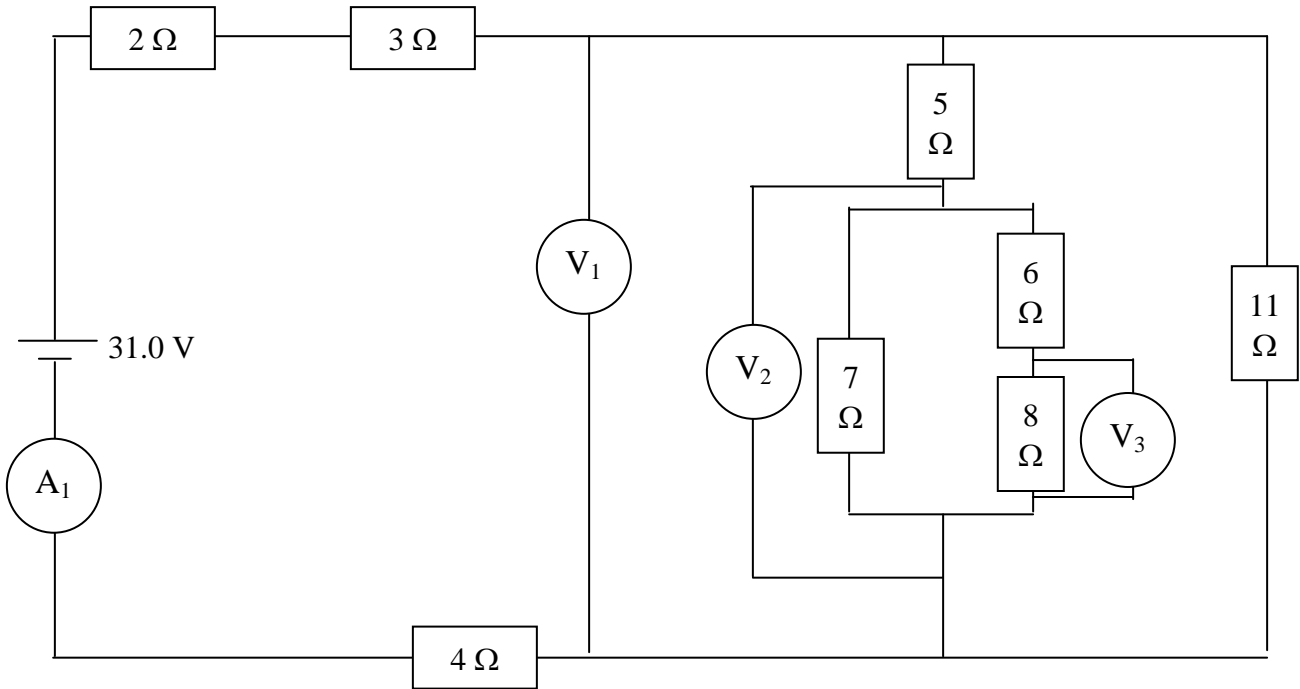
7Ω _____

12Ω _____

9Ω _____

	7.354839	ohms
	17.35484	ohms
	6.732651	ohms
Net R	17.73265	ohms
A1	2.537692	A
V1	17.08539	V
I11	1.553217	A
I7	0.984474	A
V2	7.240649	V
I12	0.603387	A
I9	0.381087	A
V3	3.810868	V

5



Find:

$A_1 =$ _____

$V_1 =$ _____

$V_2 =$ _____

$V_3 =$ _____

Find the current through:

5Ω _____

7Ω _____

6Ω _____

11Ω _____

	4.666667	ohms
	9.666667	ohms
	5.145161	ohms
Net R	14.14516	ohms
A1	2.191562	A
V1	11.27594	V
I11	1.025086	A
I5	1.166477	A
V2	5.443558	V
I7	0.777651	A
I6	0.388826	A
V3	3.110604	V