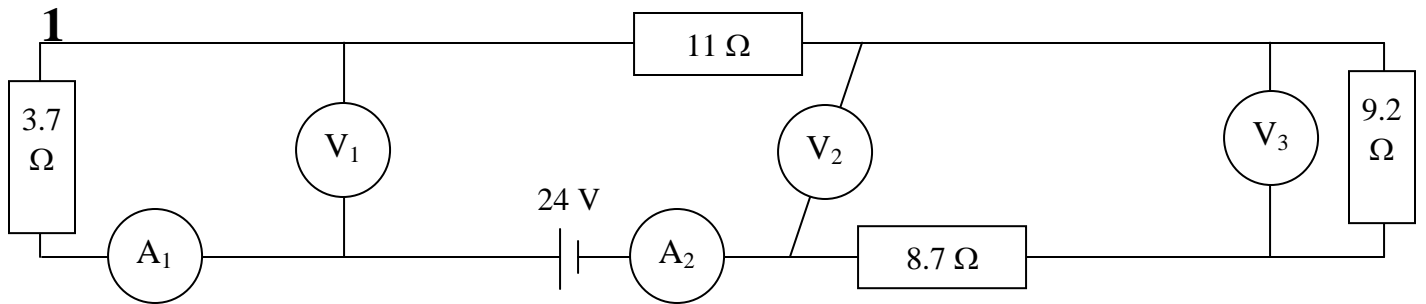
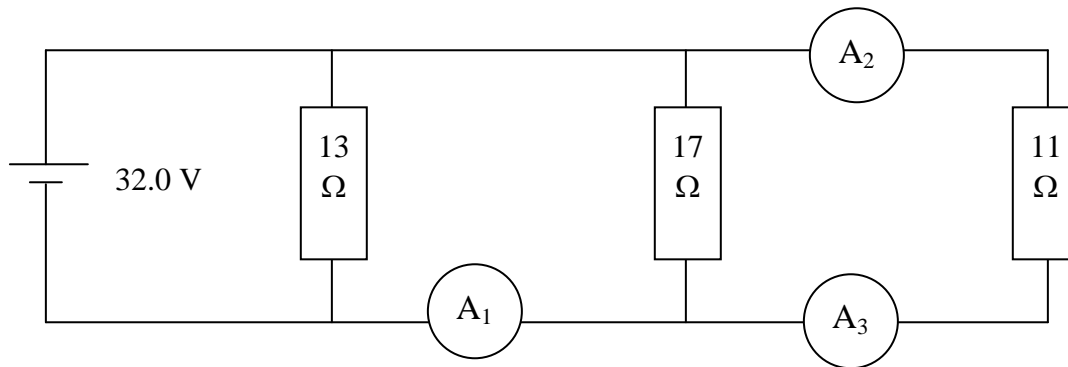


**Practice for 19.1:**

Round your answers to three sig figs (retain five), and show your work.

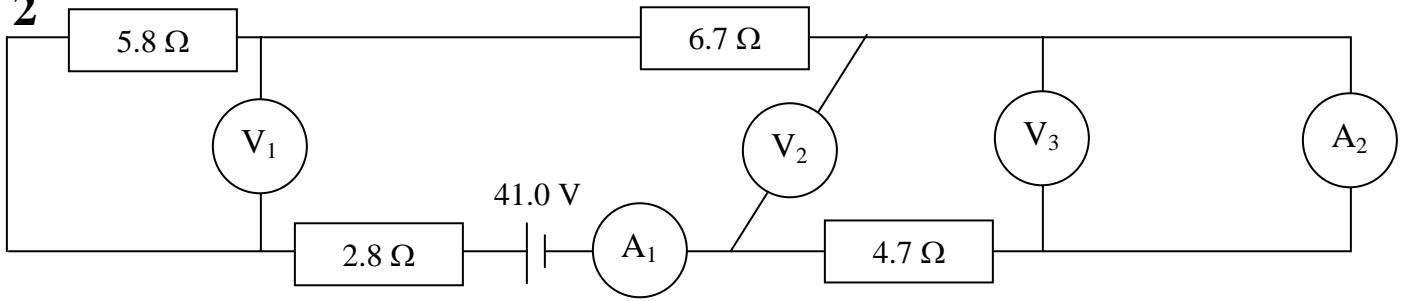


$A_1$ (0.736 A)	$A_2$ (0.736 A)	$V_1$ (2.72 V)
$V_2$ (13.2 V)	$V_3$ (6.77 V)	Least power dissipated by a resistor: (the 3.7 ohm: 2.01 W)

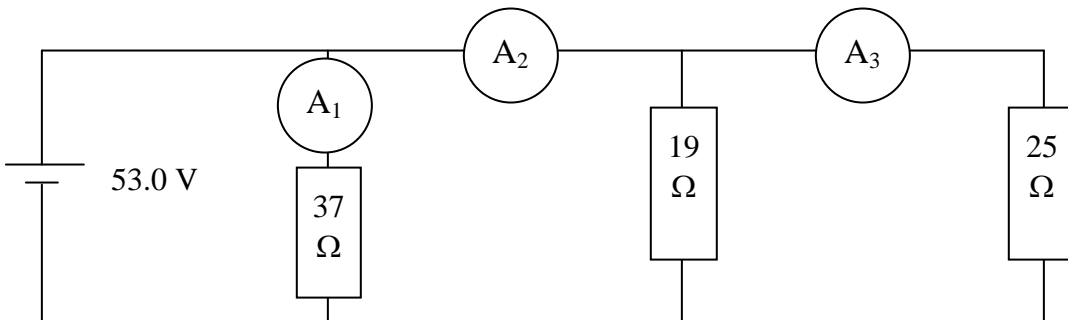


$A_1$ (4.79 A)	$A_2$ (2.91 A)	$A_3$ (2.91 A)	Greatest power dissipated by a resistor (the 11 ohm: 93.1 W)
----------------	----------------	----------------	--

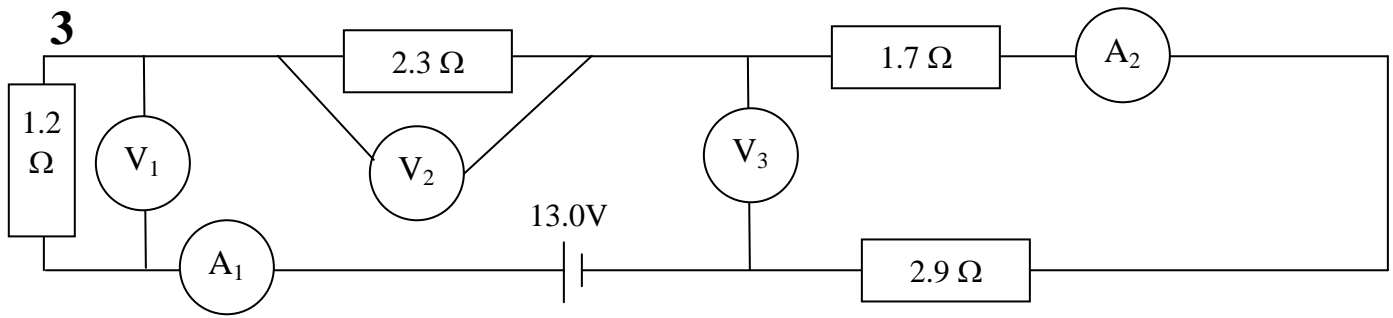
2



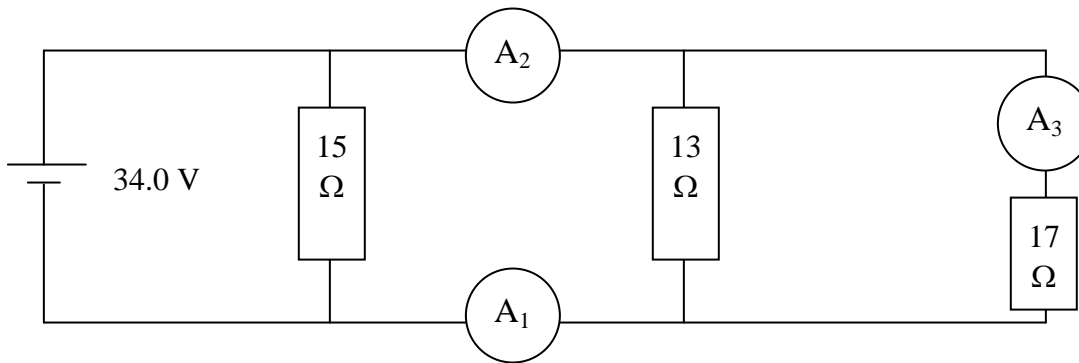
$A_1$ (2.05 A)	$A_2$ (2.05 A)	$V_1$ (11.9 V)
$V_2$ (9.64 V)	$V_3$ (0.00 V)	Greatest power dissipated by a resistor: (the 6.7 ohm: 28.2 W)



$A_1$ (1.43 A)	$A_2$ (4.91 A)	$A_3$ (2.12 A)	Least power dissipated by a resistor (the 37 ohm: 75.9 W)
----------------	----------------	----------------	---

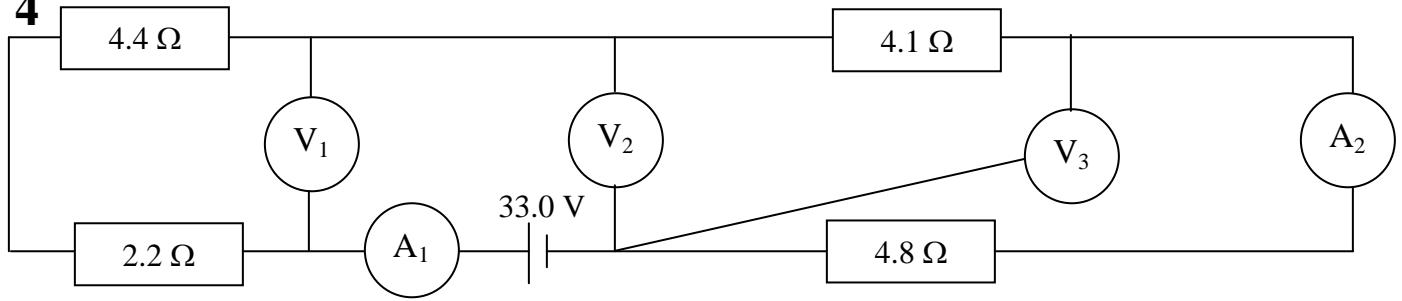


$A_1$ (1.60 A)	$A_2$ (1.60 A)	$V_1$ (1.93 V)
$V_2$ (3.69 V)	$V_3$ (7.38 V)	Least power dissipated by a resistor: (the 1.2 ohm: 3.09 W)

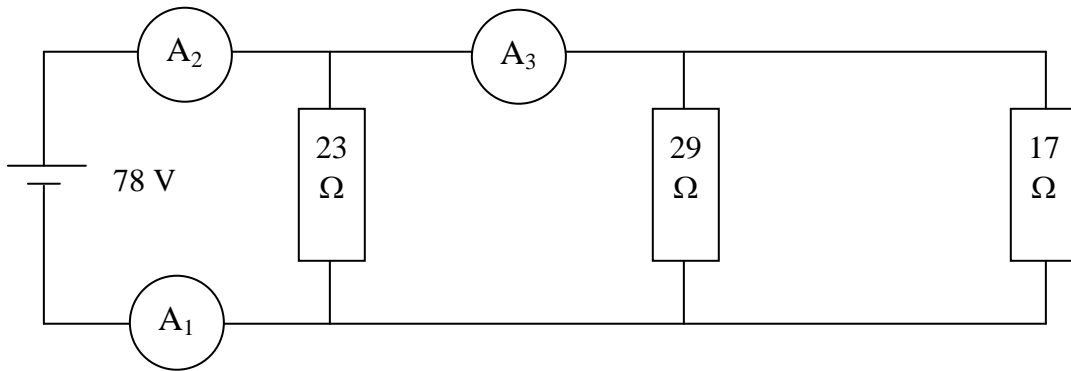


$A_1$ (4.62 A)	$A_2$ (4.62 A)	$A_3$ (2.00 A)	Greatest power dissipated by a resistor (the 13 ohm: 88.9 W)
----------------	----------------	----------------	--

4

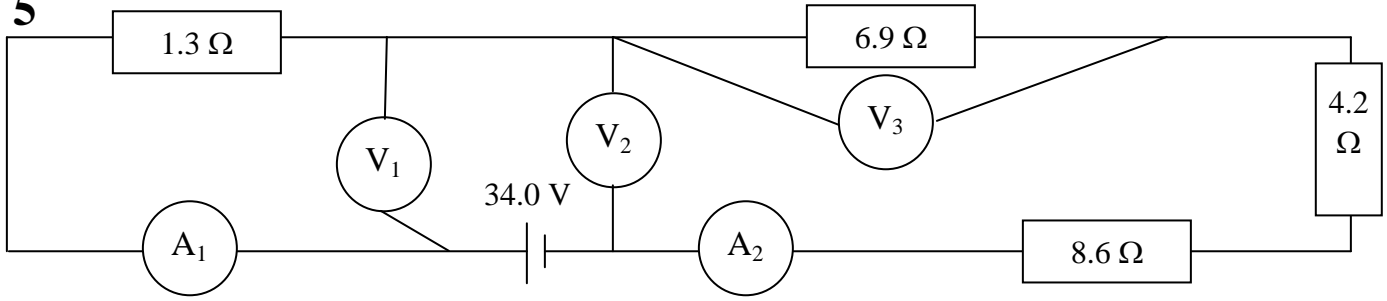


$A_1$ (2.13 A)	$A_2$ (2.13 A)	$V_1$ (14.1 V)
$V_2$ (18.9 V)	$V_3$ (10.2 V)	Greatest power dissipated by a resistor: (the 4.8 ohm: 21.8 W)

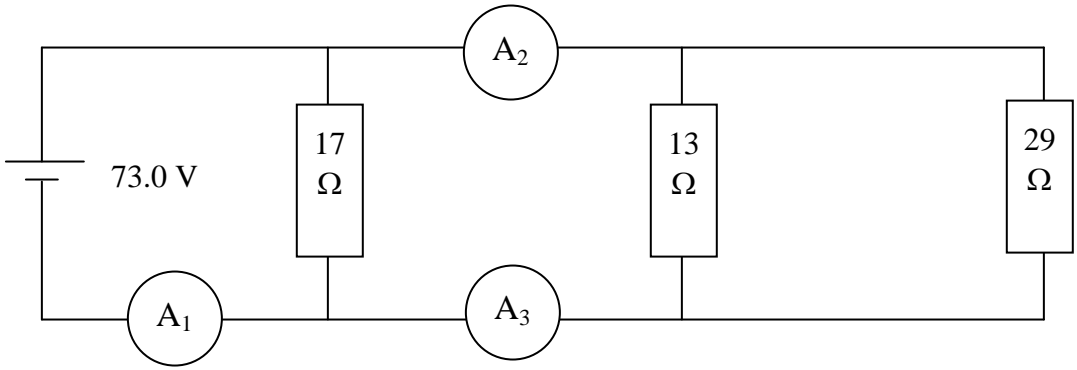


$A_1$ (10.7 A)	$A_2$ (10.7 A)	$A_3$ (7.28 A)	Least power dissipated by a resistor (the 29 ohm: 210. W)
----------------	----------------	----------------	--

5



$A_1$ (1.62 A)	$A_2$ (1.62 A)	$V_1$ (2.10 V)
$V_2$ (31.9 V)	$V_3$ (11.2 V)	Least power dissipated by a resistor: (the 1.3 ohm: 3.41 W)



$A_1$ (12.4 A)	$A_2$ (8.13 A)	$A_3$ (8.13 A)	Greatest power dissipated by a resistor (the 13 ohm: 410. W)
----------------	----------------	----------------	--