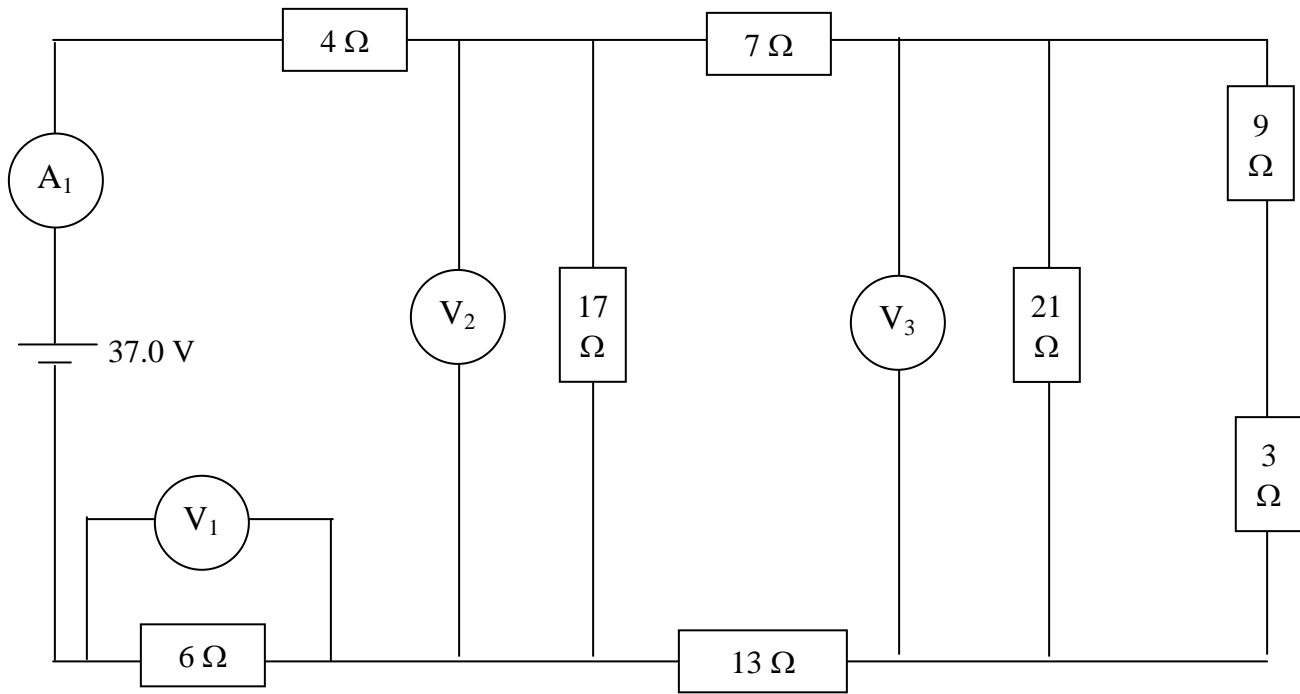


Group Work for 18IJ2-Double Popper's Penguins Name _____
 Round your answers to three sig figs (retain five), and show your work.

1



Find:

$A_1 =$ _____

$V_1 =$ _____

$V_2 =$ _____

$V_3 =$ _____

Find the current through:

17Ω _____

7Ω _____

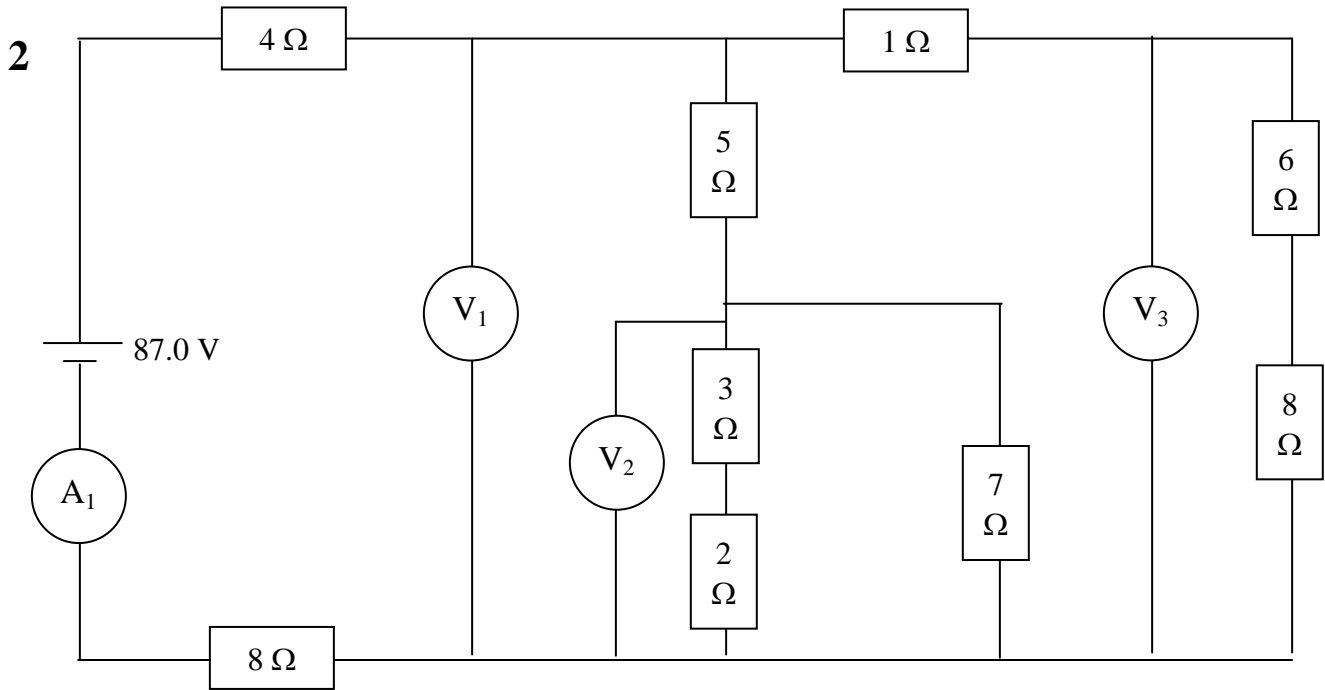
21Ω _____

9Ω _____

Find the Voltage across:

3Ω _____

	12	
	7.636364	
	27.63636	
	10.52546	
	20.52546	
A1	1.8026	A
V1	10.8158	V
V2	18.9736	V
V3	5.2427	V
I 17Ω	1.1161	A
I 7Ω	0.6865	A
I 21Ω	0.2497	A
I 9Ω	0.4369	A
V 3Ω	1.3107	V



Find:

$A_1 =$ _____

$V_1 =$ _____

$V_2 =$ _____

$V_3 =$ _____

Find the current through:

$5\ \Omega$ _____

$3\ \Omega$ _____

$6\ \Omega$ _____

$7\ \Omega$ _____

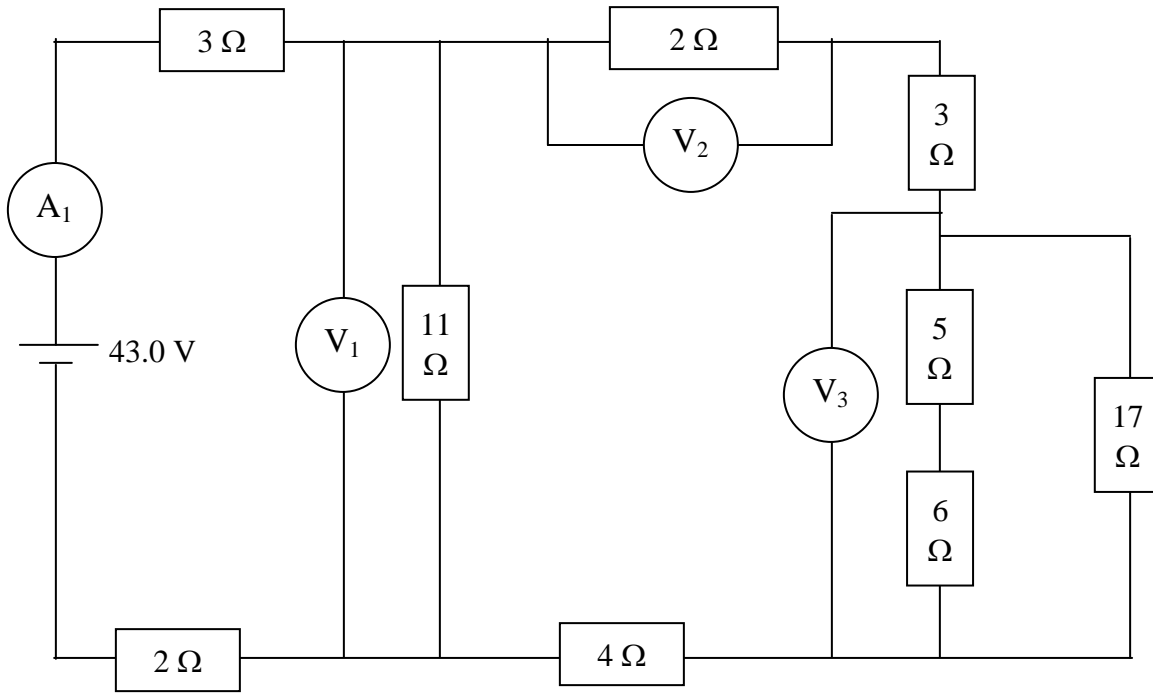
Find the voltage across:

$2\ \Omega$ _____

$5\ \Omega$ _____

15		
5		
2.916667		
7.916667		
5.181818		
17.18182		
A1	5.0635 A	
V1	26.2381 V	
V2	9.6667 V	
V3	24.4889 V	
I5Ω	3.3143 A	
I3Ω	1.9333 A	
I6Ω	1.7492 A	
I7Ω	1.381 A	
V2Ω	3.8667 V	
V5Ω	16.571 V	

3



Find:

$A_1 =$ _____

$V_1 =$ _____

$V_2 =$ _____

$V_3 =$ _____

Find the current through:

11Ω _____

4Ω _____

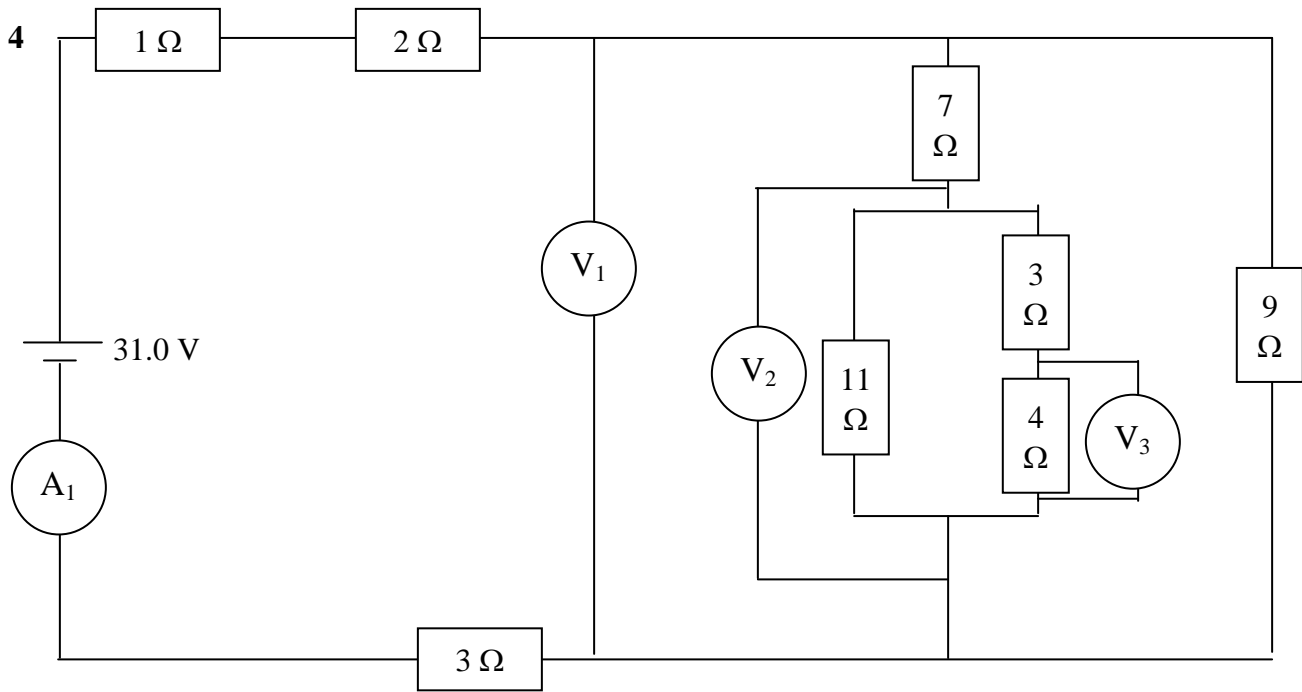
5Ω _____

17Ω _____

Find the Voltage across the:

6Ω _____

	11	
	6.678571	
	15.67857	
	6.464525	
	11.46452	
	A1	3.7507 A
	V1	24.2465 V
	V2	3.0929 V
	V3	10.3282 V
	I 11Ω	2.2042 A
	I 4Ω	1.5465 A
	I 5Ω	0.9389 A
	I 17Ω	0.6075 A
	V 6Ω	5.6336 V



Find:

$A_1 =$ _____

$V_1 =$ _____

$V_2 =$ _____

$V_3 =$ _____

Find the current through:

7Ω _____

9Ω _____

4Ω _____

11Ω _____

Find the Voltage across the:

7Ω _____

2Ω _____

7	
4.277778	
11.27778	
5.005479	
11.00548	
A1	2.8168 A
V1	14.0993 V
V2	5.3480 V
V3	3.0560 V
I 7Ω	1.2502 A
I 9Ω	1.5666 A
I 4Ω	0.764 A
I 11Ω	0.4862 A
V 7Ω	8.7513 V
V 2Ω	5.6336 V