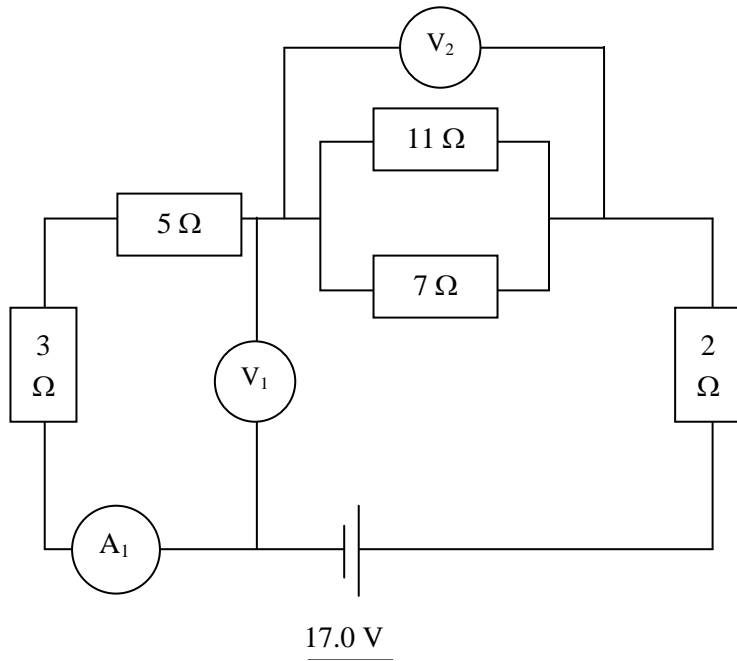


# Group Work for 18IJ-Single Poppers

Name \_\_\_\_\_

Find the readings on the meters:

1



4.277778	
14.27778	
A1	1.191 A
V1	9.525 V
V2	5.093 V
I 7	0.728 A

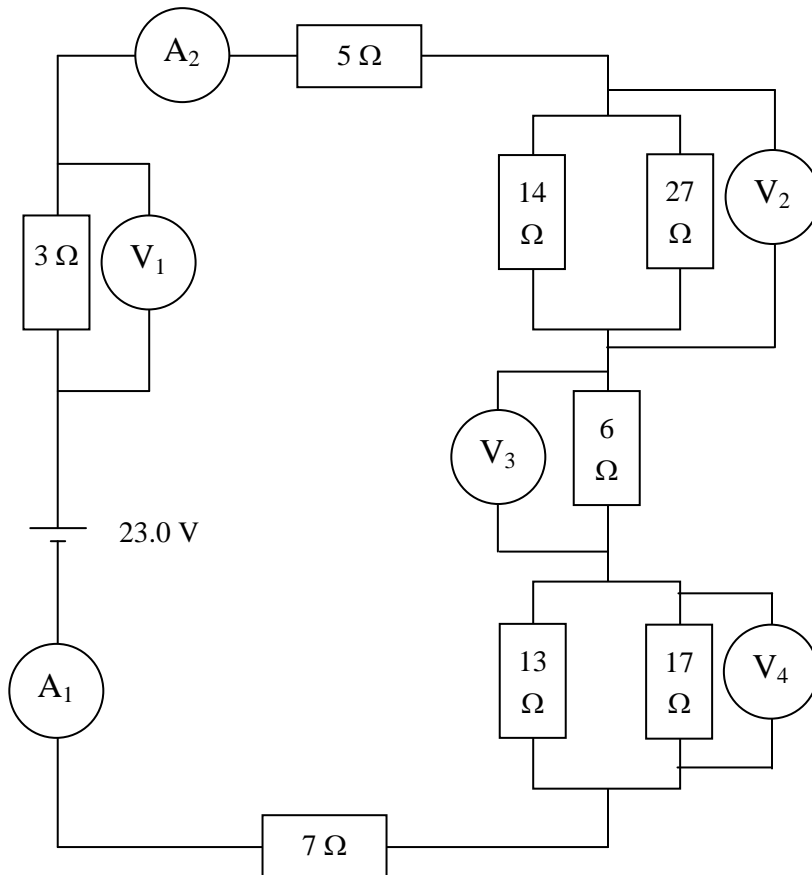
A<sub>1</sub> = \_\_\_\_\_

V<sub>1</sub> = \_\_\_\_\_

V<sub>2</sub> = \_\_\_\_\_

Current through 7 Ω = \_\_\_\_\_

2



9.219512	
7.366667	
37.58618	
A1	0.6119 A
A2	0.6119 A
V1	1.8358 V
V2	5.6417 V
V3	3.6716 V
V4	4.5079 V
I 14	0.4030 A
I 17	0.2652 A

A<sub>1</sub> = \_\_\_\_\_

A<sub>2</sub> = \_\_\_\_\_

V<sub>1</sub> = \_\_\_\_\_

V<sub>2</sub> = \_\_\_\_\_

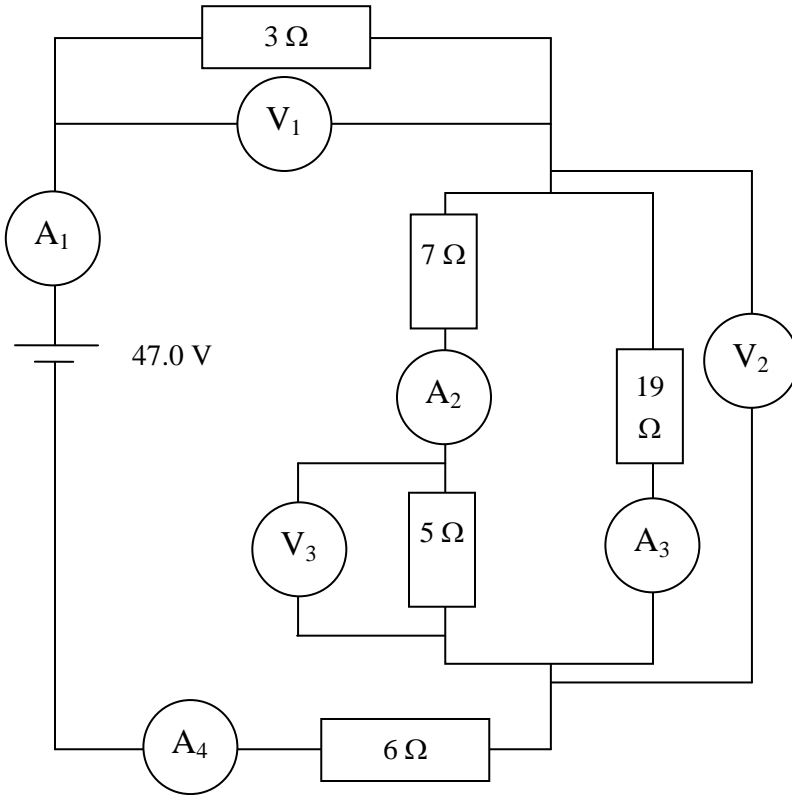
V<sub>3</sub> = \_\_\_\_\_

V<sub>4</sub> = \_\_\_\_\_

Current through 14 Ω = \_\_\_\_\_

Current through 17 Ω = \_\_\_\_\_

3



12		
7.354839		
16.35484		
A1	2.8738 A	
A2	1.7613 A	
A3	1.1124 A	
A4	2.8738 A	
V1	8.6213 V	
V2	21.1361 V	
V3	8.8067 V	

A<sub>1</sub> = \_\_\_\_\_

A<sub>2</sub> = \_\_\_\_\_

A<sub>3</sub> = \_\_\_\_\_

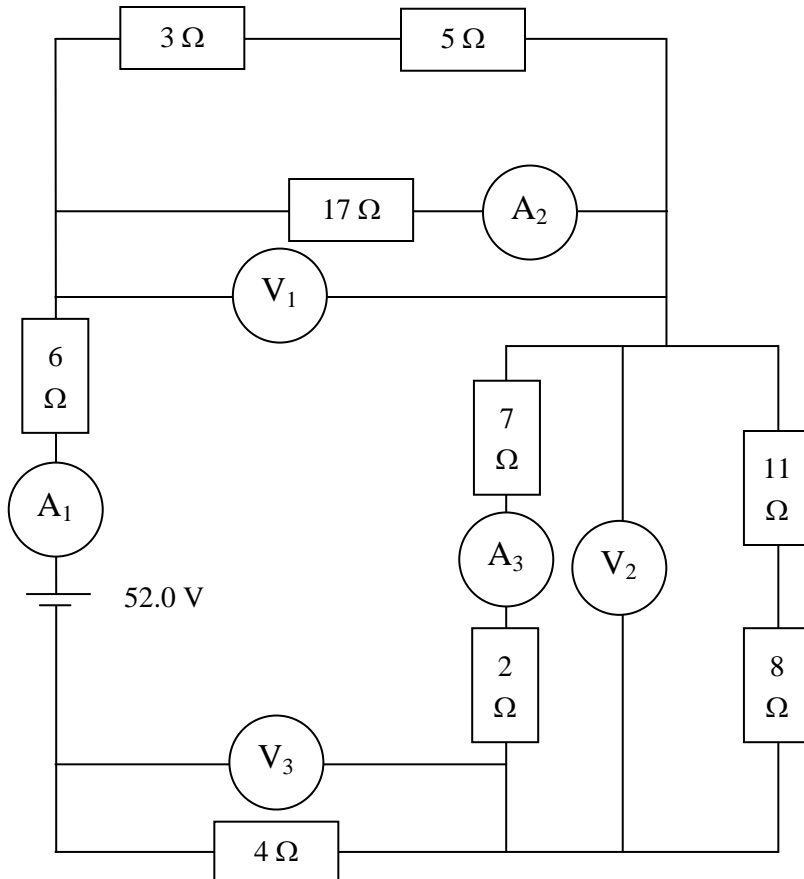
A<sub>4</sub> = \_\_\_\_\_

V<sub>1</sub> = \_\_\_\_\_

V<sub>2</sub> = \_\_\_\_\_

V<sub>3</sub> = \_\_\_\_\_

4



8		
5.44		
9		
19		
6.107143		
21.54714		
A1	2.4133 A	
A2	0.7723 A	
A3	1.6376 A	
V1	13.1284 V	
V2	14.7384 V	
V3	9.6533 V	
I 3Ω	1.6411 A	
V 3Ω	4.9232 V	
V 7Ω	11.463 V	
I 8Ω	0.7757 A	
V 11Ω	8.5328 V	

A<sub>1</sub> = \_\_\_\_\_

A<sub>2</sub> = \_\_\_\_\_

A<sub>3</sub> = \_\_\_\_\_

V<sub>1</sub> = \_\_\_\_\_

V<sub>2</sub> = \_\_\_\_\_

V<sub>3</sub> = \_\_\_\_\_

Current through the 3 Ω \_\_\_\_\_

Voltage across the 3 Ω \_\_\_\_\_

Voltage across the 7 Ω \_\_\_\_\_

Current through the 8 Ω \_\_\_\_\_

Voltage across the 11 Ω \_\_\_\_\_