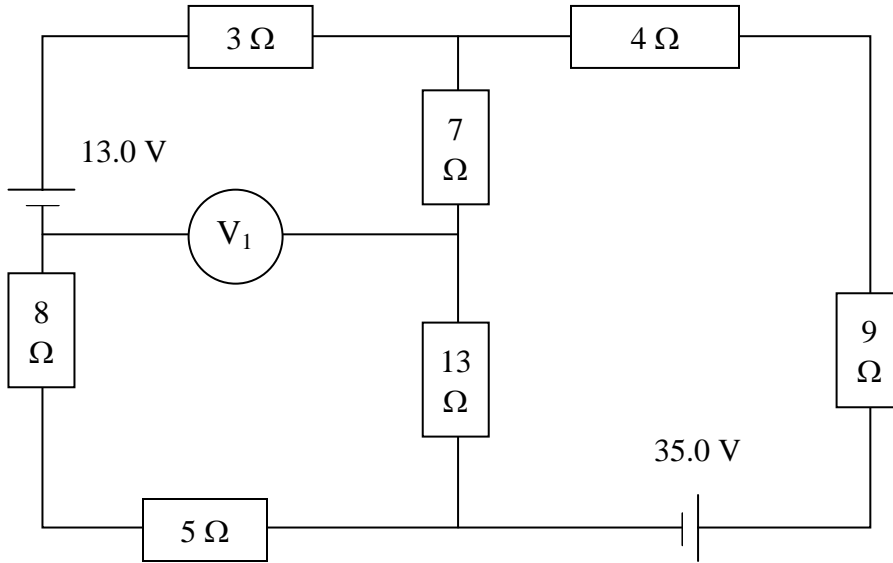


IB Physics
FA 19.3 - Kirchhoff's Laws

Name _____

Favorite Punchline _____

Round your answers to three sig figs (retain five), and show your work.



Find the current and direction (up or down) through:

8 Ω _____

13 Ω _____

9 Ω _____

Find the voltage across:

4 Ω _____

5 Ω _____

Find power dissipated by:

3 Ω _____

7 Ω _____

Find:

$|V_1| =$ _____